

## OPERATION AND MAINTENANCE MODEL 585 VISUAL INDICATOR

The visual indicator allows an operator to see a moisture indicating card in the high pressure line. The cards are seen through a high strength plastic window. The moisture card is divided into sections which progressively change color from blue to pink as moisture increases. Alternately other visual color changing indicators including a carbon monoxide indicator are available. Moisture indication tells when to change chemical drying cartridges. Normally cartridges should be changed when the indicator shows 40 to 60% relative humidity downstream of the dryer. Under high pressure, 60% relative humidity is still very dry air. For example, 3000 PSI air with a relative humidity of 60% has a dew point of  $-48^{\circ}$  F.

The indicator cards are easily removed and changed from the front of the unit. No access to the back of the unit or disconnecting of lines is required. No tools are required. Pressure must be released before opening.

Indicator card, part number 592-5, shows relative humidities of 40 and 60%. Indicator, part number 592-6, shows both relative humidity and dangerous levels of carbon monoxide in the air stream. However, the carbon monoxide indicator responds slowly over a period of several minutes so it only provides an adequate warning for slowly changing conditions. Consequently it should be considered only a back-up to faster responding electronic instruments if carbon monoxide build ups can occur. Also note that the CO buttons have a shelf life of about 1 year. The buttons are date marked. Do not use them beyond a year from this date. Consult the factory for further details. To install the element, unscrew the cap (2). The element (7or8) is then placed in the housing with the active side facing the window (3) to permit visual observation. When reinstalling the cap, insure the spring is in place to hold the element against the window. Tighten hand tight. No tools are necessary. See instructions with indicator elements for further details.

### SPECIFICATIONS

- Maximum pressure rating ---- 5000 PSI
- Inlet & outlet ports ----- 1/4" female NPT  
180° apart
- Size ----- 1 1/2" dia. x 2 1/4"  
with 1/2" dia view  
port

### AQUA ENVIRONMENT INC.

- Humidity indicator ----- shows when humidity is 40, & 60 %
- Carbon monoxide indicator --- shows when CO exceeds about 100 PPM
- Materials            body            aluminum  
                             seals            Viton  
                             window        Lexan

### TYPICAL APPLICATIONS

- Humidity indicators in high pressure air lines
- Dryer / filter unit change indicators
- High pressure compressors
- High or low pressure air stations
- High or low pressure process industry lines and systems
- Instrument and high purity air lines

### INSTALLATION

Use a suitable pipe thread sealant on the inlet and outlet threads. Flow should be through the indicator . Do not install the indicator in a tee to one side of the main flow. This would increase the time it takes for the indicator to respond. The indicator can be installed in a panel by making a 1.5" or larger hole in the panel such that the window and removable cap can extend out from the panel while the piping connections can be located behind the panel. The indicator is sufficiently light so it can be supported by the piping connections. It can be installed with the window facing any direction. The indicator is NOT shipped oxygen clean and should NOT be used for oxygen service as provided. Consult the factory for details on oxygen service.

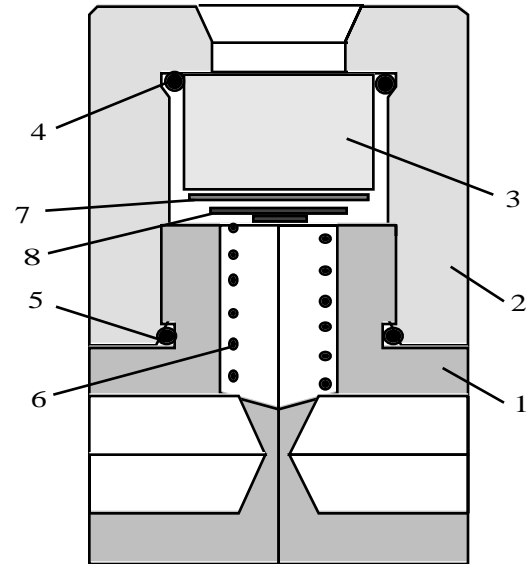
COLOR CHANGE - BLUE TO PINK  
MEANS HIGH HUMIDITY, TAN TO DARK  
BROWN MEANS DANGEROUS  
CARBON MONOXIDE

## ASSEMBLY & DISASSEMBLY MODEL 585 VISUAL INDICATOR

ITEM	QTY	PART NO.	DESCRIPTION
1	1	583	body
2	1	584	cap
3	1	593	window
4	1	592-1	O ring 2-018
5	1	592-2	O ring 2-019
6	1	592-3	spring
7	1	592-5	indicator 40/60 humidity
8	1	592-6	indicator CO & humidity

### NOTES

1. Technical bulletin - 588
2. Use Dow silicone grease 111 or equivalent on seals and threads.
3. Tighten cap hand tight only
4. Install window (3) with smooth, larger diameter against O ring (4) - should snap into place
5. Insure window (3) is fully against shoulder of cap (2).
6. Avoid spring or other hard objects touching window
7. KEEP ELEMENTS SEALED IN ALUMINUM FOIL PACKS UNTIL USED.
8. WHEN INSTALLING CO/HUMIDITY ELEMENTS PEEL BACKING TAPE OFF BLUE HUMIDITY STRIP, PASTE TO FRONT SIDE (ROUGH SURFACE) OF BROWN CO BUTTON AND INSTALL IN CAP SO BOTH CO AND HUMIDITY ELEMENTS CAN BE SEEN THROUGH WINDOW, INSURE SPRING IS IN PLACE TO HOLD ELEMENT AGAINST WINDOW.



9. WHEN INSTALLING HUMIDITY ELEMENT PLACE IT IN CAP (2) WITH BLUE FACE AGAINST WINDOW

10. COLOR CHANGE - BLUE TO PINK MEANS HIGH HUMIDITY. TAN TO DARK BROWN MEANS DANGEROUS LEVELS OF CARBON MONOXIDE

### NOTE REGARDING WINDOW INSTALLATION ON 585

Part number 593 window manufactured after June 2005 are to be installed in the cap such that the **larger diameter contacts the O ring window seal**. The cap is recessed and the window has a slight taper such that the window will snap into place and be held by the O ring.