

OPERATION AND MAINTENANCE

MODEL 1397 TEE FILTER

GENERAL

The model 1397 Tee filter provides a large area filter that can be easily removed for cleaning or changing without disconnecting pressure piping. Used upstream of other components such as regulators or valves it protects seats and small internal filters from particulates, rust particles, etc.

SPECIFICATIONS

- Maximum rated pressure - 6000 PSI (40 MPa)
- Materials - Anodized aluminum body, brass, stainless steel, Viton seals
- Filter material - sintered bronze, nickel plated
- Ports - 1/4" FNPT inlet; 1/4" MNPT outlet
- Size - 1.5" diameter by 5.9" long
- Filter area - 5.0 square inches
- Filter micron rating - 30 micron standard
others available

INSTALLATION

Use a suitable pipe thread sealant such as Teflon tape on the inlet and outlet ports. The filter is NOT shipped oxygen clean and should NOT be used for oxygen service as provided. Consult the factory for details on oxygen service. The inlet is the side female port. The outlet is the male thread at the end. **Do not reverse flow.** Reverse flow will cause filter element to dislodge and loss of filtering action. If possible install the filter so the cap and element are easily accessible. On many components such as the Aqua Environment regulators 415 or 873 series the filter can be screwed directly into the regulator inlet eliminating the need for extra piping.

OPERATION

In operation flow enters the side inlet and flows radially through the filter element item 4 to the outlet.

MAINTENANCE & REPAIR

Maintenance consists of changing or cleaning the filter element as required. A knurled section on the filter cap item 2 permits easy hand removal for element changing. However a strap wrench may be required if the cap has been over tightened. Clean the element by back flushing (flow inside to out) with water or water containing suitable solvents or detergents. **After cleaning be sure all traces or films of organic solvents or detergents are removed to avoid the risk of ignition in high pressure air systems.** Insure O rings item 6 and 5 are in good condition. Insure O ring item 6, filter element 4 and spring 7 are in place and reinstall cap hand tight. Tighten sufficiently to close air gap between body item 1 and cap 2 so O ring 5 does not extrude out under pressure.

A repair kit consisting of filter element and seals (part number 1397-8-xx) is available. xx denotes the micron rating of the filter element.

IN ALL CASES THE UNITS CAN BE RETURNED TO THE FACTORY OR DEALER FOR REPAIR.

ASSEMBLY AND DISASSEMBLY

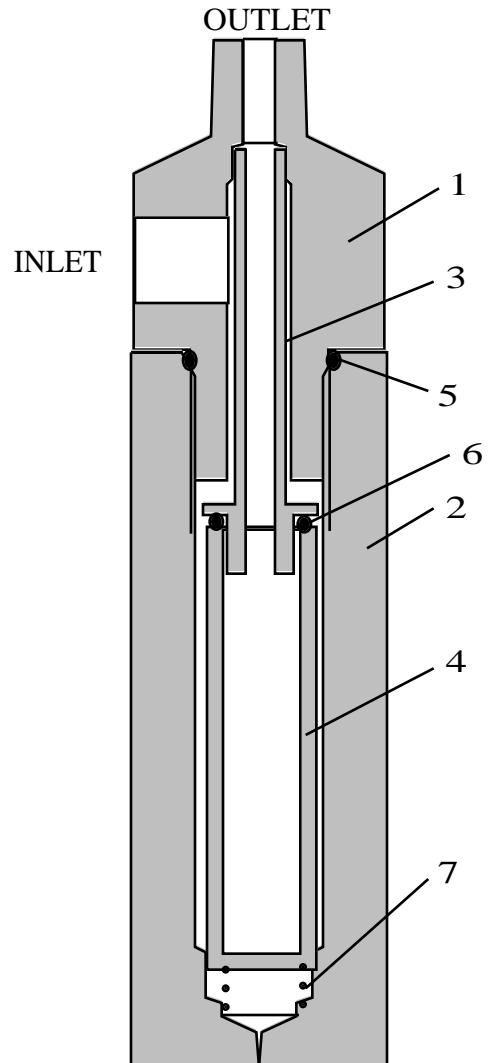
Assembly and disassembly can be done by following the following drawings and parts list. Also refer to the repair section on the opposite side of this sheet for disassembly sequence.

PARTS LIST - 1397 TEE FILTER

ITEM	QTY	PART NO.	DESCRIPTION
1	1	1401	body
2	1	1402	cap
3	1	1403	guide
4	1	1404-20	filter element, 20 μ
		1404-30	30 μ
		1404-40	40 μ
5	1	1397-5	seal 2-012-90V
6	1	1397-6	seal 2-018-90V
7	1	1397-7	spring C0600-055-0625S
8		1397-8-xx	repair kit incl. items 4,5,6,7, - xx denotes micron rating of filter
9	1	1397-9	label

NOTES;

1. Tech Bulletin is - 1399
2. use light coat of Cristolub MCG 121 or equivalent on thread and seals
3. tighten cap hand tight or as required for metal of item 1 to meet item 2.
4. 30 μ filter element is standard



AQUA ENVIRONMENT INC.